

# LUX C23+

**G-Tech**  
Green Technology Lighting Towers



MULTILED FLOODLIGHTS / 4 X 320 W  
ILLUMINATED AREA / 5000 m<sup>2</sup>



UP TO 3 UNITS CONNECTED IN SERIES  
TO AN EXTERNAL POWER SOURCE



VERTICAL TELESCOPIC MAST  
MAX HEIGHT / 9 m  
LIFETIME WARRANTY



LIGHT SENSOR  
ASTRONOMIC TIMER



360° / ADJUSTABLE FLOODLIGHTS  
340° / MAST ROTATION



OUTLET SOCKET / 16 A - 230 V  
INLET PLUG / 16 A - 230 V



GALVANIZED METAL BODY  
80 µm POWDER COATING  
GLOVE COMPARTMENT



**LUXTOWER**  
lighting towers

# PLUG IN RANGE LUX C23+

MADE IN  
ITALY

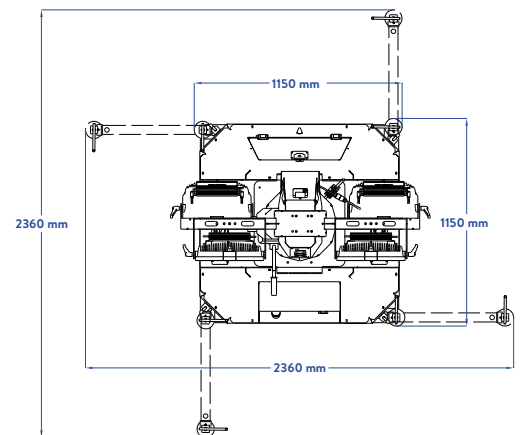
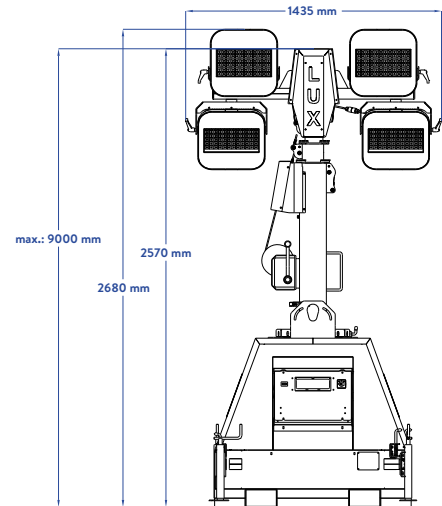
# TECHNICAL DATA

## Dimensions & Weight

Dimensions min.	mm	1150 X 1150 X 2680
Dimensions max.	mm	2360 X 2360 X 9000
Total weight without fuel	Kg	444

## Features

Rotation		340°
Floodlight	W	4 X 320 W
Lamps type		LED
Inlet plug	A/V	16 - 230
Outlet socket	A/V	16 - 230
Wind stability	Km/h	110



ZERO FUEL COSTS

ZERO EMISSIONS

ZERO NOISE

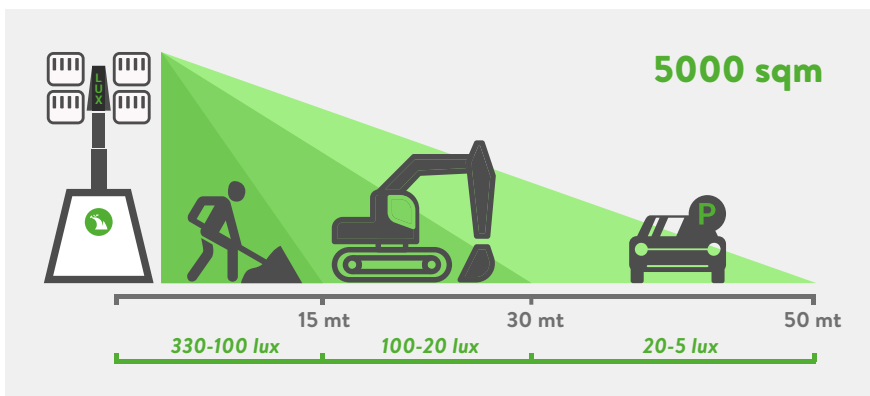
ZERO MAINTENANCE



N.3 LUX C23+ can be connected in series to an external power source such as the Main network or 4 KW power generator

\*according with rated output and electric specs

## Illuminated Area



HIGH PERFORMANCE  
MULTILED  
MADE IN ITALY

## Loading Plan



Full Truck

22 Units

**G-Tech**  
Green Technology Lighting Towers

Luxtower: Via Strada Nuova, 28 - 27050 Codevilla (PV) ITALY | TLF. +39 0383 365544 | Fax +39 0383 49702

LUXTOWER ongoing policy is in continuous improvement. The company reserves the right to modify the technical specifications and items described in this catalogue at any time and without notice for technical or commercial reasons. Product images are shown for information only. LUXTOWER® - 2016© All rights reserved.